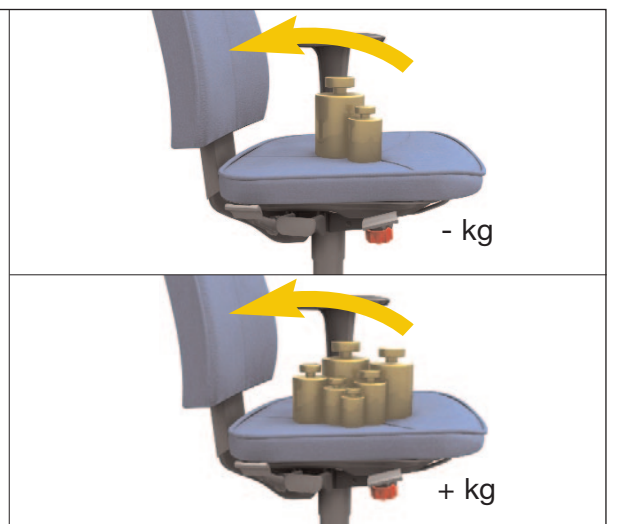
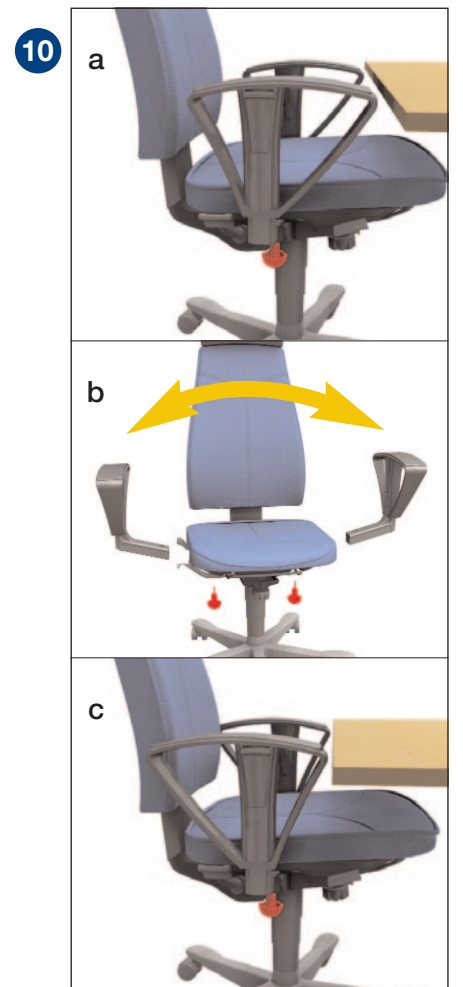
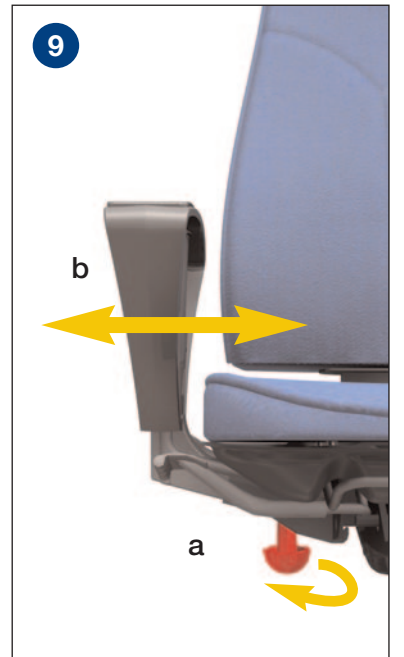
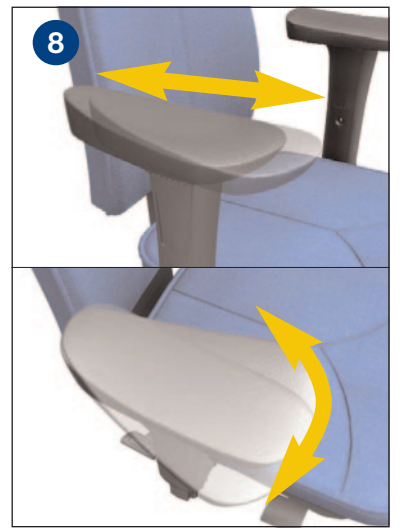
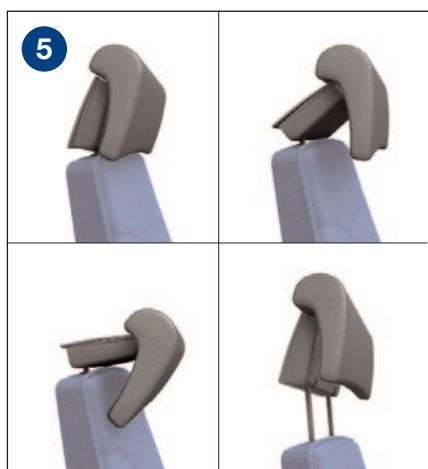
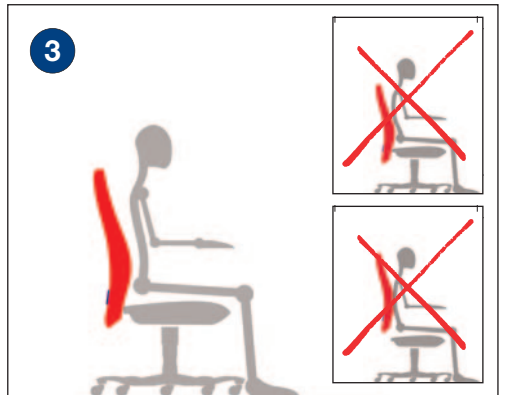
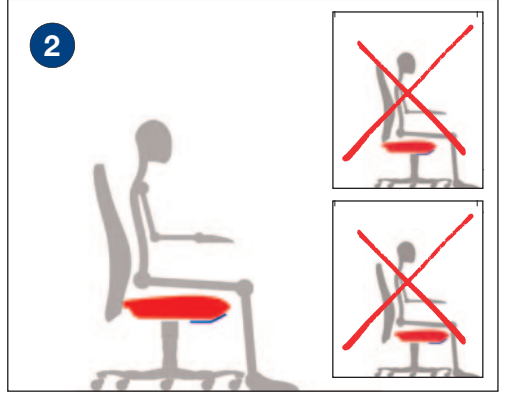
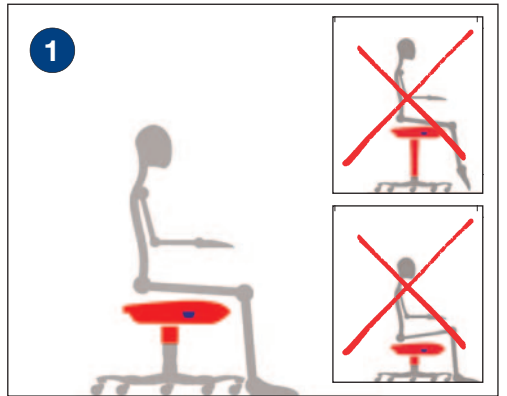
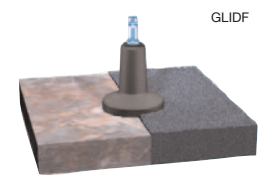
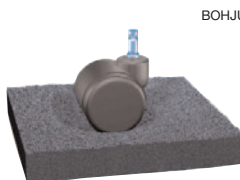
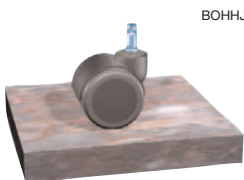
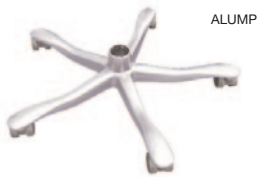
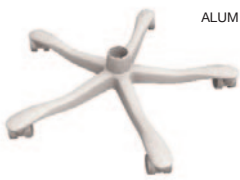


6000 FreeFloat 8000 Synchron





Kinnarps AB 521 88 Kinnarp Sweden  
tel +4651538000 e-mail info@kinnarps.se www.kinnarps.com



Instruction